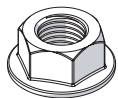


IN8242

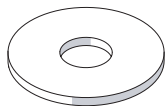
Trade Van Racking - Side Panel Accessories

SUPPLIED COMPONENTS

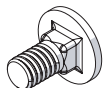
FX4011
(M8 FLANGE NUT)



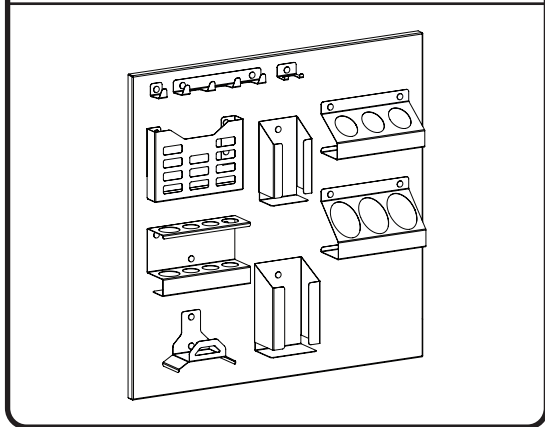
FX4099
(M10 WASHER)



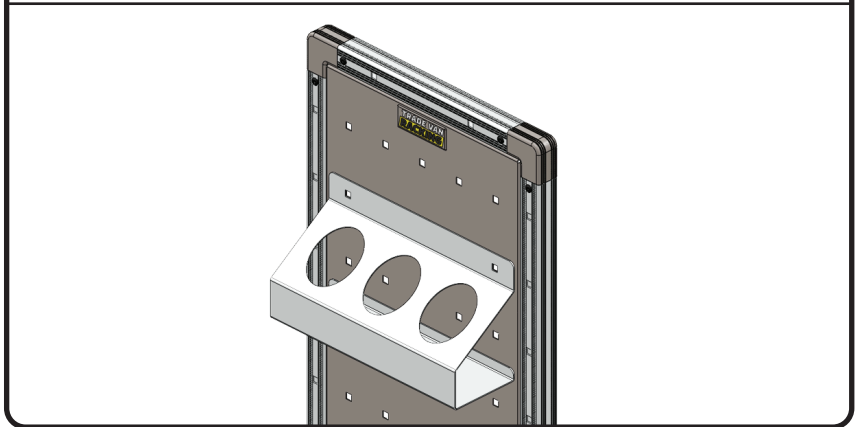
FX4141
(M8X16 COACH BOLT)



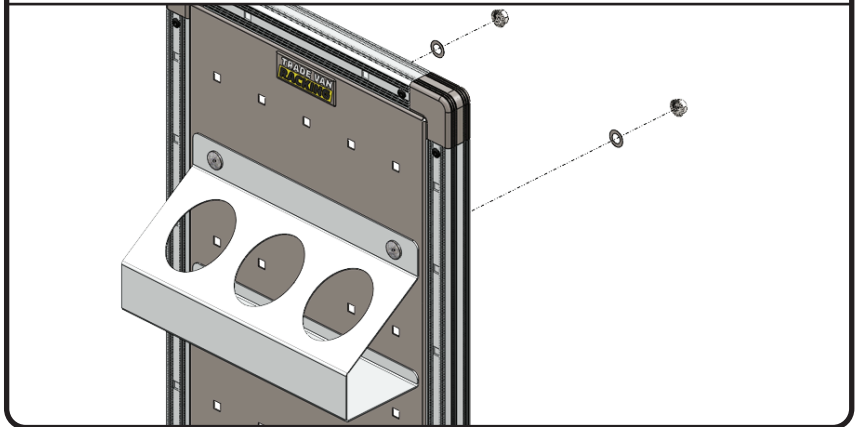
This is a generic instruction covering all side panel accessories.



Position accessory in the desired position on the Trade Van Racking side panel.

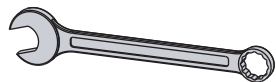


Secure accessory to the side panel using M8x16 coach bolts, M10 washers and M8 flange nuts.



TOOLS REQUIRED

13MM X1



Customercare@van-guard.co.uk
UK +44 (0) 1392 368 351

This FITTING INSTRUCTION is the property of VAN GUARD ACCESSORIES LTD. and must not be used for manufacturing purposes, copied nor communicated in any way to third parties without written permission from VAN GUARD ACCESSORIES LTD.
IN8242_B (CN:00240)

Van Guard Accessories Ltd
Fair Oak Close, Exeter Airport Business Park,
Exeter, Devon, EX5 2UL
www.van-guard.co.uk